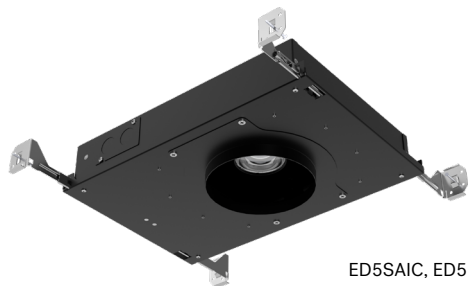


Project: _____

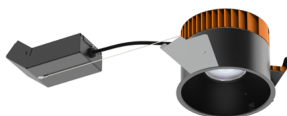
Type: _____

Note: _____

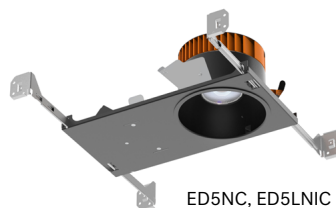
ECO 5" LED DOWNLIGHT



ED5SAIC, ED5LSAIC



ED5RM, ED5LRIC



ED5NC, ED5LNIC

LED LIGHT ENGINE	
RATED WATTAGES	26W, 15W (SAIC), 30W (RM/NC), 16W (RIC,NIC)
DELIVERED LUMENS	Up to 3123 lm
EFFICACY	Up to 142 LPW
CCT @ 90CRI	2700K, 3000K, 3500K, 4000K, Warm Dim
COLOR QUALITY	90+ CRI, 2-Step SDCM
LED LIFETIME	>55,000 hours @ L80

DELIVERED LUMENS MATRIX				
ED5SAIC (23W)	10° OPTIC	30° OPTIC	50° OPTIC	80° OPTIC
2700K (90CRI)	2528 lm	2787 lm	2782 lm	1930 lm
3000K (90CRI)	2645 lm	2917 lm	2911 lm	2020 lm
3500K (90CRI)	2758 lm	3041 lm	3036 lm	2106 lm
4000K (90CRI)	2832 lm	3123 lm	3117 lm	2162 lm
ED5SAIC (23.6W)	10° OPTIC	30° OPTIC	50° OPTIC	80° OPTIC
Warm Dim (98 CRI, R9>90)	1585 lm	1664 lm	1527 lm	1112 lm

ED5LSAIC (15W)	10° OPTIC	30° OPTIC	50° OPTIC	80° OPTIC
2700K (90CRI)	1716 lm	1893 lm	1896 lm	1311 lm
3000K (90CRI)	1796 lm	1980 lm	1977 lm	1371 lm
3500K (90CRI)	1873 lm	2065 lm	2061 lm	1430 lm
4000K (90CRI)	1923 lm	2120 lm	2116 lm	1468 lm

ED5 NC, RM (29.5W)	10° OPTIC	30° OPTIC	50° OPTIC	80° OPTIC
2700K (90CRI)	2275 lm	2403 lm	2139 lm	1624 lm
3000K (90CRI)	2458 lm	2597 lm	2311 lm	1755 lm
3500K (90CRI)	2516 lm	2657 lm	2366 lm	1796 lm
4000K (90CRI)	2590 lm	2735 lm	2435 lm	1849 lm

ED5 NIC, RIC (15.3W)	10° OPTIC	30° OPTIC	50° OPTIC	80° OPTIC
Warm Dim (98 CRI, R9>90)	1030 lm	1081 lm	992 lm	723 lm

ED5 LNIC LRIC (15W)	10° OPTIC	30° OPTIC	50° OPTIC	80° OPTIC
2700K (90CRI)	1348 lm	1424 lm	1268 lm	963 lm
3000K (90CRI)	1457 lm	1539 lm	1370 lm	1040 lm
3500K (90CRI)	1491 lm	1575 lm	1402 lm	1065 lm
4000K (90CRI)	1535 lm	1621 lm	1443 lm	814 lm

SILENT VU™ OPTICS TECHNOLOGY	
OPTICS	50° Installed, 10°, 30°, 80° available
ADJUSTABLE	0° to 45° tilt (Adjustable housings only)
MEDIA	Clear, Solite, Frosted, Linear Spread, Hex Louver

POWER SUPPLY	
INPUT VOLTAGE	120/277V 50/60Hz
DIMMING	TRIAC, ELV and 0-10V, dims to 1%
SERVICABILITY	Below ceiling access

TRIM OPTIONS

- Fixed or Adjustable
- Round or Square
- Standard or Trimless
- Wall Wash
- Wet Location

TRIM COLORS

- White
- Black
- Champagne
- Champagne w/White Flange
- Black w/White Flange
- Silver w/White Flange

HOUSING

- New Construction includes (2) galvanized steel adjustable hanger bars
- Remodel option available
- 5/8"-2" ceiling thickness
- Min Plenum Height: 2 1/2" Shallow SAIC, 3 1/2" RM/NC/RIC/NIC models with ST Trim
- Ceiling Material: Drywall, T-bar grid
- Steel junction box with up to (4) 1/2" knockouts
- ASTM E283 Air Tight compliant
- SAIC models are CCEA compliant (Note: polycell spray-in foam insulation must be kept 3" from housing)

LISTING/WARRANTY

- cULus Listed
- UL Listed for Damp Location (All Styles)
- IC Rated and Non IC Rated Available
- CCEA Approved (SAIC Models)
- Five (5) years limited warranty
- UL Listed for Wet Location (Wet Location Trim Style)
- CA Title 24-JA8 Compliant (SAIC, NIC & RIC Models)
- ASTM E283 Certified Airtight
- Compliant with CEC Title 24 - JA10 flicker requirements



Project: _____
Type: _____
Note: _____

ECO 5" LED DOWNLIGHT

ORDER MATRIX

ED5

ECO 5" HOUSING + LIGHT ENGINE ORDER MATRIX (Example: ED5SAIC-309050-30S)

HOUSING BASE		LED PERFORMANCE			DRIVER ASSEMBLY	
FAMILY APERTURE	INSTALLATION TYPE	CCT	CRI	OPTIC	WATTAGE	LED DIMMING DRIVER
ED5 ECO 5"	SAIC Shallow Plenum Adjustable IC	-27 2700K	90 90 CRI	50 50° Flood Installed 10°, 30°, 80° optics available from the Additional Optics Accessories table below	-30 ¹ 29.5W NC or RM Installation Type Only	S ³ Universal Dimming Driver (1%-100% 0-10V, TRIAC, ELV, 120V/277V)
	NC New Construction Fixed	-30 3000K				
	RM Remodel Fixed	-35 3500K			-26 ^{1,2} 23W SAIC Installation Type Only	
		-40 4000K				

FAMILY APERTURE	INSTALLATION TYPE	CCT	CRI	OPTIC	WATTAGE	LED DIMMING DRIVER
ED5 ECO 5" Warm Dim	SAIC Shallow Plenum Adjustable IC	-WD ² 1800K-3000K	98 98 CRI	50 50° Flood Installed 10°, 30°, 80° optics available from the Additional Optics Accessories table below	-16 ¹ 15.3W NIC or RIC Installation Type Only	S ³ Universal Dimming Driver (1%-100% 0-10V, TRIAC, ELV, 120V/277V)
	NIC ³ New Construction Fixed IC	Warm Dim				
	RIC ³ Remodel Fixed IC	Warm Dim				

1. Static White:
SAIC Installation Type Wattage Code -26
NC or RM Installation Type Wattage Code -30
Warm Dim:
SAIC Installation Type Wattage Code -26
NIC or RIC Installation Type Wattage Code -16

2. Wattage Code -26 Title 24 JA-8 compliant only with 10°, 30° or 50° optic installed.
3. TRIAC, ELV dimming for 120V only.

ED5L

ECO 5" HOUSING + LIGHT ENGINE ORDER MATRIX (Example: ED5LSAIC-309050-16S2)

HOUSING BASE		LED PERFORMANCE			DRIVER ASSEMBLY	
FAMILY APERTURE	INSTALLATION TYPE	CCT	CRI	OPTIC	WATTAGE	LED DIMMING DRIVER
ED5L ECO 5" LPD	SAIC Shallow Plenum Adjustable IC	-27 2700K	90 90 CRI	50 50° Flood Installed 10°, 30°, 80° optics available from the Additional Optics Accessories table below	-16 15.3W	S ¹ Universal Dimming Driver (1%-100% 0-10V, TRIAC, ELV, 120V/277V)
	NIC New Construction Fixed IC	-30 3000K				
	RIC Remodel Fixed IC	-35 3500K				
		-40 4000K				

Project: _____
Type: _____
Note: _____

ECO 5" LED DOWNLIGHT

ORDER MATRIX

TRIMMED (FLANGED)

ECO 5" DOWNLIGHT TRIM ORDER MATRIX (Example: ED5-RSTWT)

FAMILY APERTURE	TRIM SHAPE	TRIM POSITION	TRIM STYLE	TRIM FINISH	
ED5- ECO 5" Flanged	R Round	F Fixed	ST Standard	WT White	BW ² Black w/White Flange
	S Square	A Adjustable	WL ¹ Wet Location	BK Black	SW ² Silver w/White Flange
			WW ¹ Wall Wash	CN Champagne	CW ² Champagne w/White Flange

1. WL (Wet Location) and WW (Wall Wash) style only available in F (Fixed) and in flanged trim.
2. Color option available in ST (Standard) style only.
* WW (Wall Wash) style trim ships with recommended 80° optic.

TRIMLESS MUD KIT (REFLECTOR + MUD PLATE)

ECO 5" DOWNLIGHT TRIMLESS ORDER MATRIX (Example: ED5-KRFSTWT)

FAMILY APERTURE	KIT	TRIM SHAPE	REFLECTOR POSITION	TRIM STYLE	TRIM FINISH
ED5- ECO 5" Trimless	K (Reflector and Mudplate Kit)	R Round	F Fixed	ST SAIC (Shallow Plenum Adjustable housing types only)	WT White
		S ¹ Square	A Adjustable	RM NC (Fixed), RM (Remodel) housing types only	BK Black
					CN Champagne

1. S (Square) and A (Adjustable) not available for RM Reflector Style.

TRIMLESS REFLECTOR

ECO 5" DOWNLIGHT TRIMLESS ORDER MATRIX (Example: ED5-RFTLWT or ED5-RRMTLWT)

FAMILY APERTURE	UNKITTED	TRIM SHAPE	REFLECTOR POSITION	TRIM STYLE	TRIM FINISH
ED5- ECO 5" Trimless	(Blank)	R Round	F Fixed	TL SAIC (Shallow Plenum Adjustable housing types only)	WT White
		S ¹ Square	A Adjustable	RMTL NC (Fixed), RM (Remodel)	BK Black
			Blank (NC/RM)		CN Champagne

1. S (Square) and A (Adjustable) not available for RM Reflector Style.
* Trimless Reflector Only. Order corresponding Trimless Mud Plate

TRIMLESS MUD PLATE

ECO 5" DOWNLIGHT MUD PLATE ORDER MATRIX (Example: ED5-R-TL or ED5-RRMTL)

FAMILY APERTURE	UNKITTED	TRIM SHAPE	TRIM STYLE
ED5- ECO 5" Trimless	(Blank)	R Round	TL SAIC (Shallow Plenum Adjustable housing types only)
		S ¹ Square	RMTL NC (Fixed), RM (Remodel)

1. S (Square) not available for RMTL Mud Plate.
* Trimless Mud Plate Only. Order corresponding Trimless Reflector

ECO 5" LED DOWNLIGHT

ORDER MATRIX

ACCESSORIES

ECO 5" ACCESSORIES FOR ECO, ED5, ED5L, ED5S

ADDITIONAL OPTICS	OPTICAL MEDIA	EMERGENCY OPTIONS
Used with Static White	ED5-CL Clear Lens	EM-1000 25W Remote Inverter
ED5-10-OPTIC 10° Spot	ED5-MP Solite Lens	EM-1002 10W Remote EM Driver
ED5-30-OPTIC 30° Narrow Flood	ED5-FR Frosted Lens	EM-1003-CA 35W Remote Inverter, Title 20
ED5-50-OPTIC 50° Flood	ED5-LS Linear Spread Lens	EM-1004 50W Remote Inverter
ED5-80-OPTIC 80° Wide Flood	ED5-HEX¹ Hex Louver	EM-1006 25W Remote Inverter, Title 20
Used with Warm Dim	ED5-MHLDR² Media Holder	
ED5-10-OPTIC-WD 10° Spot		
ED5-30-OPTIC-WD 30° Narrow Flood		
ED5-50-OPTIC-WD 50° Flood		
ED5-80-OPTIC-WD 80° Wide Flood		

1. MHLDR required when using a Hex Louver
2. MHLDR Required when ordering 2 optical media and only compatible with SAIC & LSAIC

TRIM ACCESSORIES

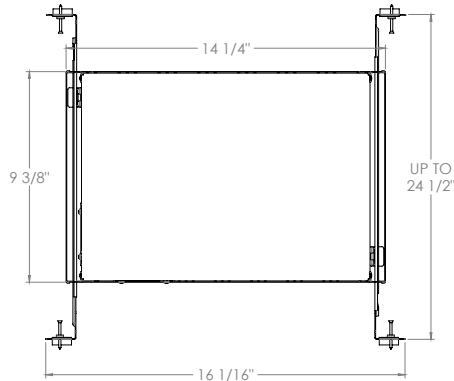
ECO 5" TRIM ACCESSORIES ORDER MATRIX (Example: ED5-R-TL)

FAMILY APERTURE	STYLE
ED5- ECO 5"	R-FMA Round Flush Mount Adapter
	S-FMA Square Flush Mount Adapter
	TC1 Thick Ceiling Adapter for ceilings 11/16" to 1-1/4"
	TC2 Thick Ceiling Adapter for ceilings 1-5/16" to 2"

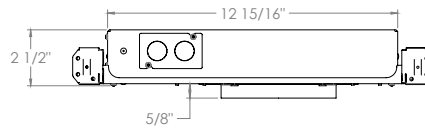
ECO 5" LED DOWNLIGHT

HOUSING AND LIGHT ENGINE LINE DRAWINGS

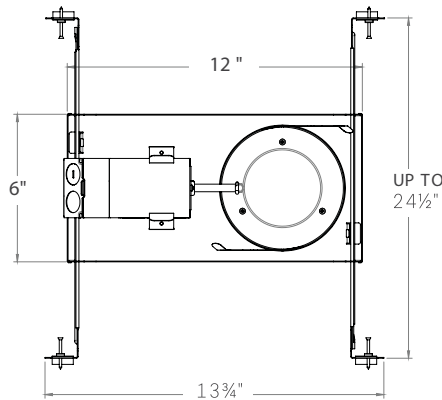
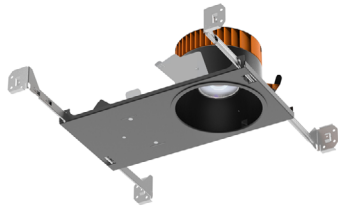
ED5SAIC, ED5LSAIC



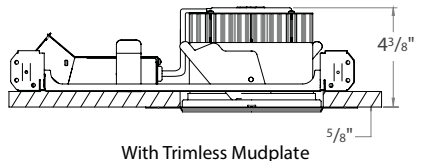
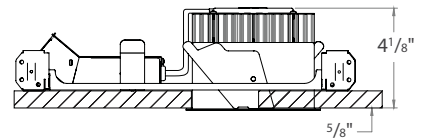
Minimum plenum height 2 1/2"



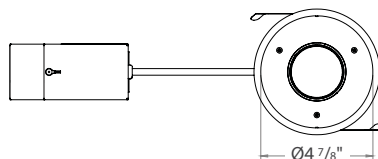
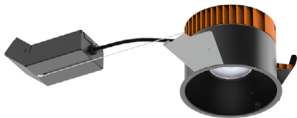
ED5NC, ED5LNIC



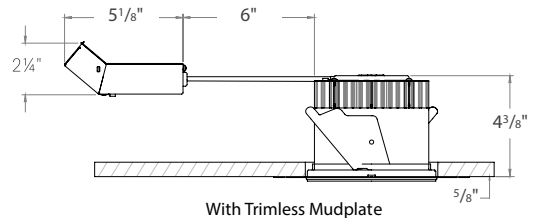
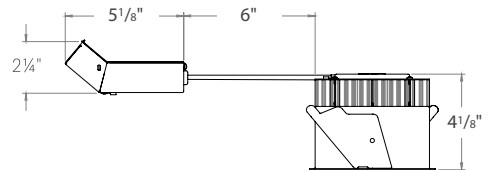
Minimum plenum height 3 1/2"



ED5RM, ED5LRIC

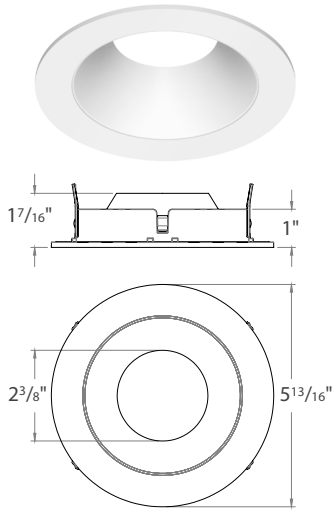


Minimum plenum height 3 1/2"

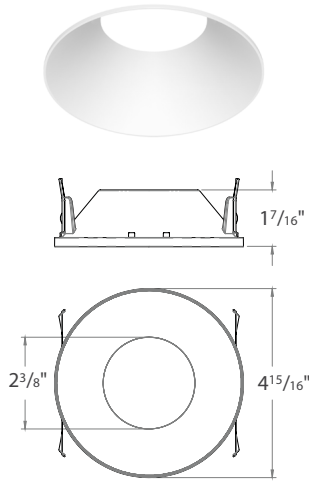


ECO 5" LED DOWNLIGHT

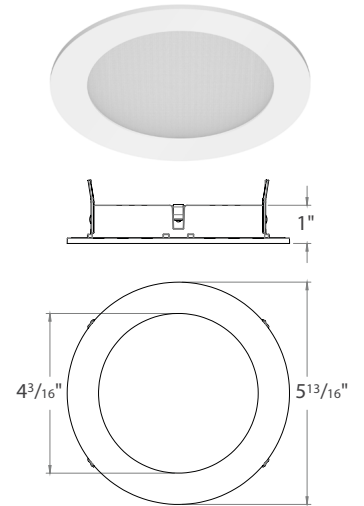
TRIM STYLES



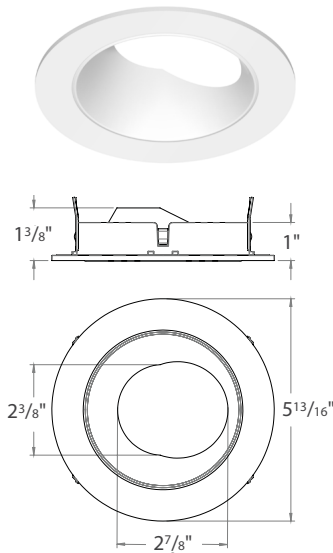
ED5-RFST
ROUND FIXED STANDARD TRIM



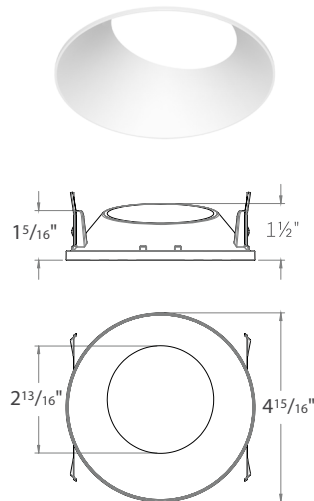
ED5-RFTL
ROUND FIXED TRIMLESS
Trimless Style for use with SAIC models only.



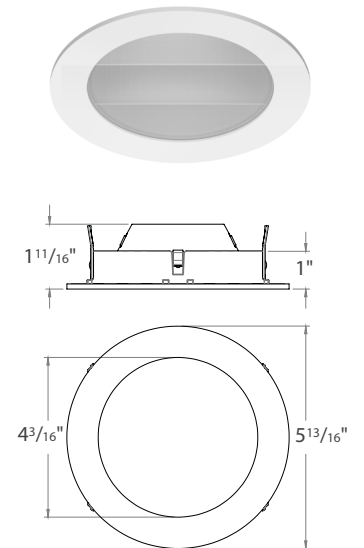
ED5-RFWL
ROUND WET LOCATION



ED5-RAST
ROUND ADJUSTABLE STANDARD TRIM
Adjustable trim styles for use with adjustable SAIC models only.



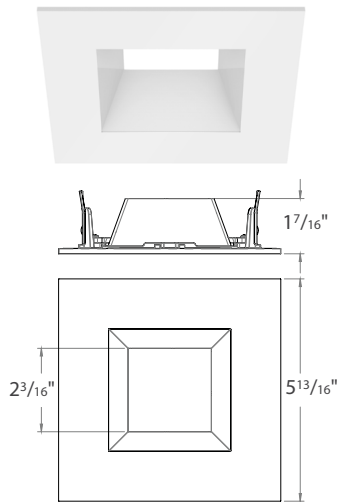
ED5-RATL
ROUND ADJUSTABLE TRIMLESS
Adjustable trim styles for use with adjustable SAIC models only.



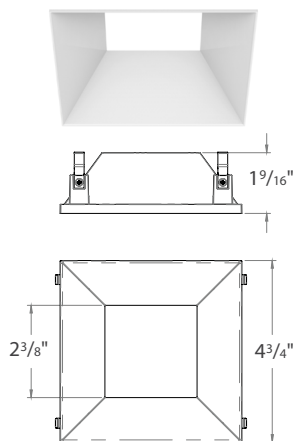
ED5-RFWW
ROUND WALL WASH

ECO 5" LED DOWNLIGHT

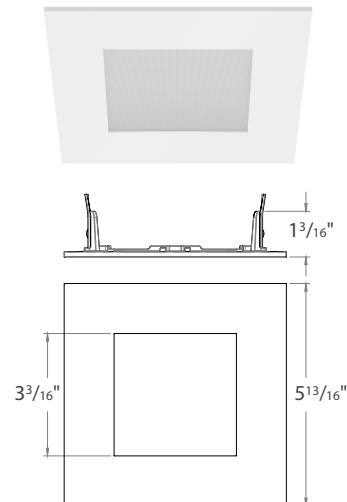
TRIM STYLES



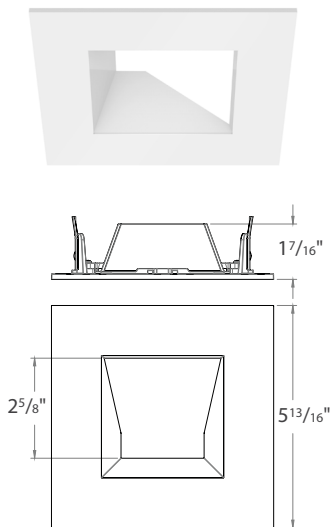
ED5-SFST
SQUARE FIXED STANDARD TRIM



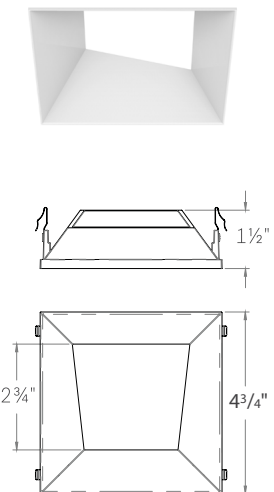
ED5-SFTL
SQUARE FIXED TRIMLESS
Trimless Style for use with SAIC models only.



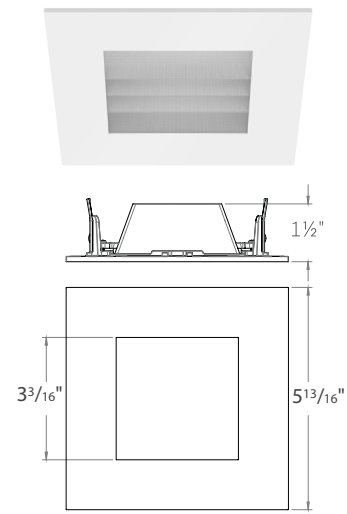
ED5-SFWL
SQUARE WET LOCATION



ED5-SAST
SQUARE ADJUSTABLE STANDARD TRIM
Adjustable trim styles for use with adjustable SAIC models only.



ED5-SATL
SQUARE ADJUSTABLE TRIMLESS
Adjustable trim styles for use with adjustable SAIC models only.



ED5-SFWW
SQUARE WALL WASH

ECO 5" LED DOWNLIGHT

TRIM FINISHES



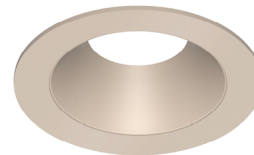
ED5-RFSTWT

WT White Reflector with White Trim



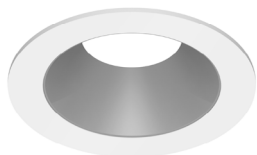
ED5-RFSTBK

BK Black Reflector with Black Trim



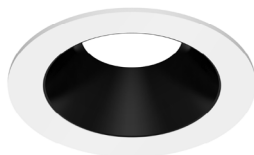
ED5-RFSTCN

CN Champagne Reflector with Champagne Trim



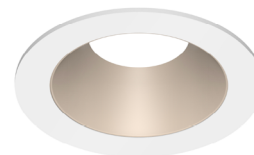
ED5-RFSTSW

SW Silver Reflector with White Trim



ED5-RFSTBW

BK Black Reflector with White Trim



ED5-RFSTCW

CN Champagne Reflector with White Trim



ED5-SFSTWT

WT White Reflector with White Trim



ED5-SFSTBK

BK Black Reflector with Black Trim



ED5-SFSTCN

CN Champagne Reflector with Champagne Trim



ED5-SFSTSW

SW Silver Reflector with White Trim



ED5-SFSTBW

BW Black Reflector with White Trim

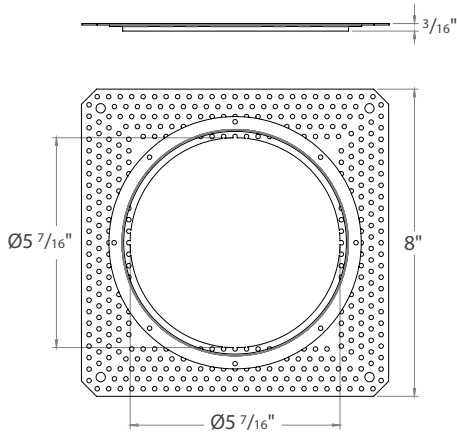


ED5-SFSTCW

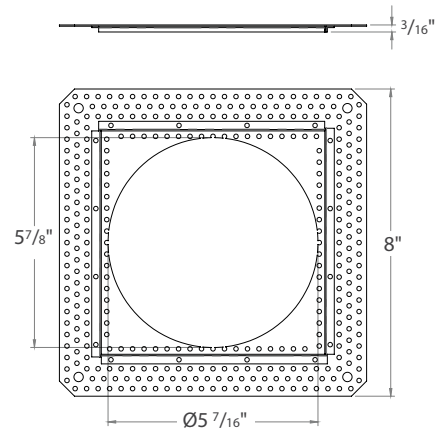
CW Champagne Reflector with White Trim

ECO 5" LED DOWNLIGHT

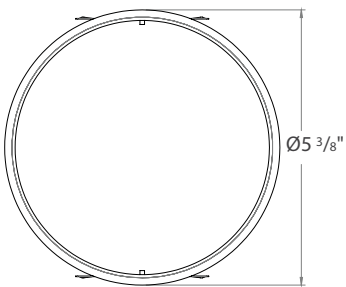
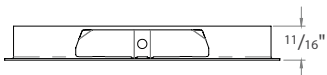
ACCESSORIES



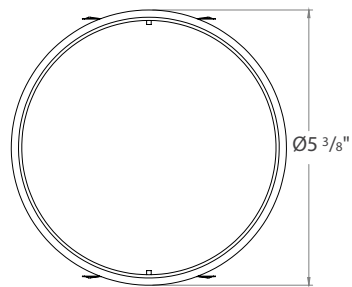
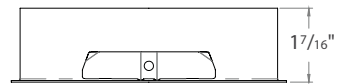
ED5-R-FMA
ROUND FLUSH MOUNT ADAPTER



ED5-S-FMA
SQUARE FLUSH MOUNT ADAPTER



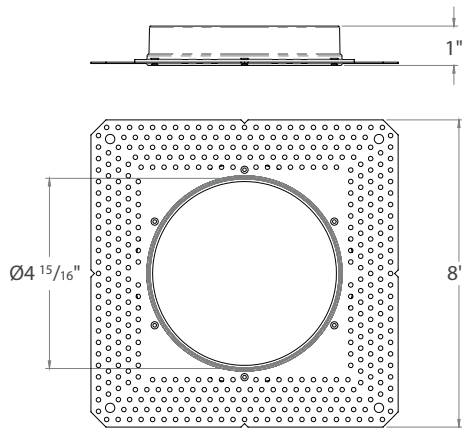
ED5-TC1
THICK CEILING ADAPTER
For ceilings 1-1/16" to 1-1/4"



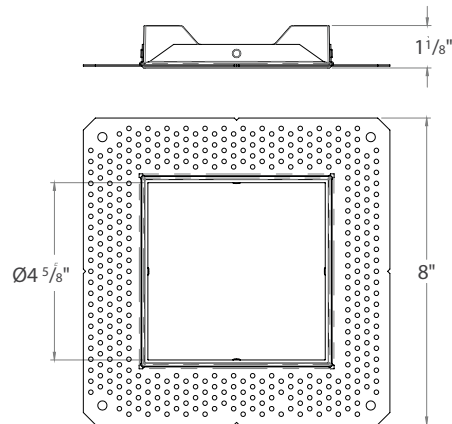
ED5-TC2
THICK CEILING ADAPTER
For ceilings 1-5/16" to 2"

ECO 5" LED DOWNLIGHT

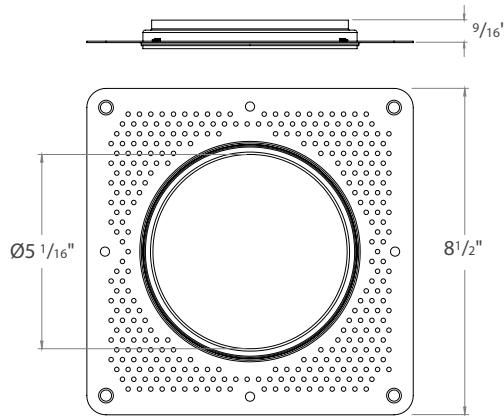
TRIMLESS ACCESSORIES



ED5-R-TL
ROUND TRIMLESS MUDPLATE
For use with SAIC housings only



ED5-S-TL
SQUARE TRIMLESS MUDPLATE
For use with SAIC housings only



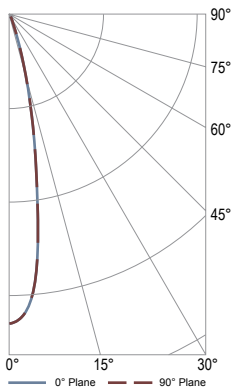
ED5-R-RMTL
ROUND TRIMLESS MUDPLATE
For use with NC, NIC, RM, RIC housings only

ECO 5" LED DOWNLIGHT

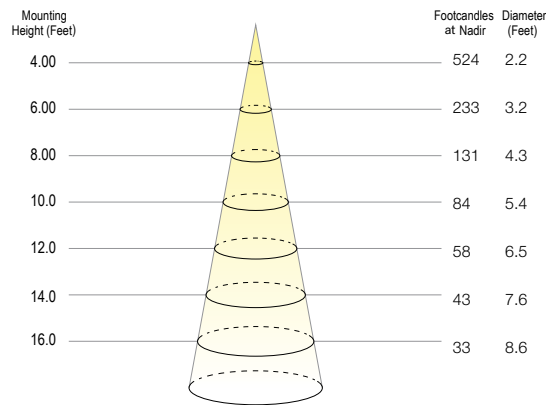
PHOTOMETRICS

Eco Downlight 5" SAIC model (2700K, 90 CRI, 10° Optic, 25W)
Round, Standard, White Trim

Polar Plot



Cone of Light Tabulation



VOLTAGE	CURRENT	POWER
120.0 VAC	0.19 A	22.99W

POWER FACTOR	FREQUENCY	CURRENT THD
0.993	60 Hz	8.5%

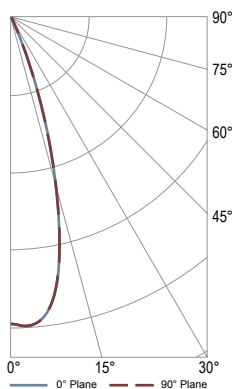
Summary of Results

Spacing Criteria	Total Lumen Output:	2528 Lumens
0-180: 0.5	Luminaire Efficacy:	110 lm/w
90-270: 0.5	Maximum Candela:	8377 Candela

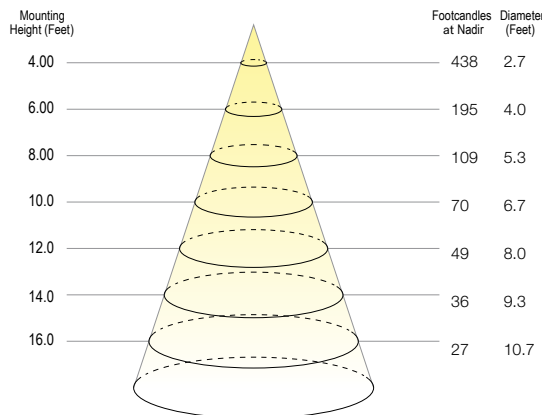
ZONE	LUMENS	% OF LUMINAIRE
0-40	2484	98.2%
0-60	2520	99.7%
0-90	2528	100%

Eco Downlight 5" SAIC model (2700K, 90 CRI, 30° Optic, 25W)
Round, Standard, White Trim

Polar Plot



Cone of Light Tabulation



VOLTAGE	CURRENT	POWER
120.0 VAC	0.19 A	23.03W

POWER FACTOR	FREQUENCY	CURRENT THD
0.993	60 Hz	8.52%

Summary of Results

Spacing Criteria	Total Lumen Output:	2787 Lumens
0-180: 0.62	Luminaire Efficacy:	121 lm/w
90-270: 0.62	Maximum Candela:	7003 Candela

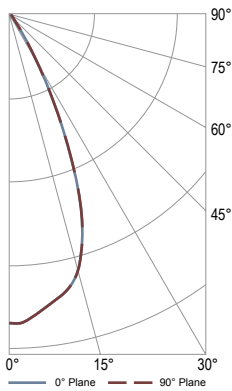
ZONE	LUMENS	% OF LUMINAIRE
0-40	2737	98.2%
0-60	2783	99.8%
0-90	2787	100%

ECO 5" LED DOWNLIGHT

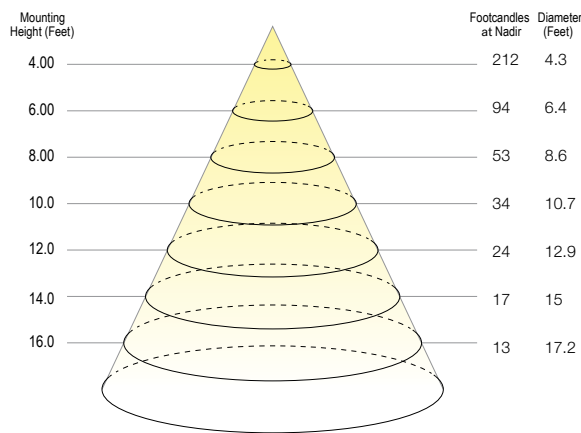
PHOTOMETRICS

Eco Downlight 5" SAIC model (2700K, 90 CRI, 50° Optic, 25W)
Round, Standard, White Trim

Polar Plot



Cone of Light Tabulation



VOLTAGE	CURRENT	POWER
120.0 VAC	0.19 A	23.03W

POWER FACTOR	FREQUENCY	CURRENT THD
0.992	60 Hz	8.5%

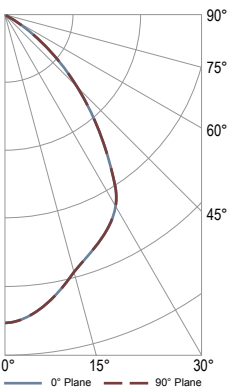
Summary of Results

Spacing Criteria	Total Lumen Output:	2782 Lumens
0-180: 0.94	Luminaire Efficacy:	121 lm/w
90-270: 0.94	Maximum Candela:	3400 Candela

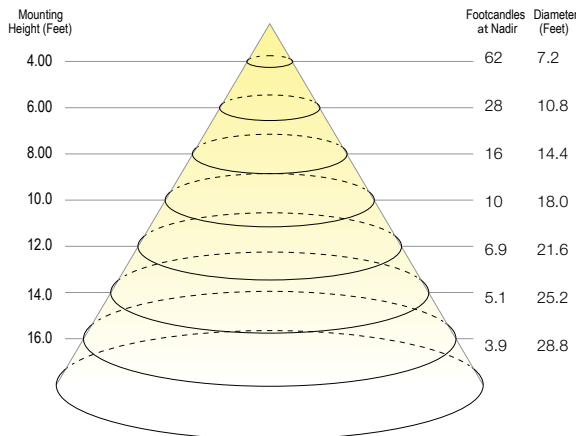
ZONE	LUMENS	% OF LUMINAIRE
0-40	2675	96.2%
0-60	2776	99.8%
0-90	2782	100%

Eco Downlight 5" SAIC model (2700K, 90 CRI, 80° Optic, 25W)
Round, Standard, White Trim

Polar Plot



Cone of Light Tabulation



VOLTAGE	CURRENT	POWER
120.0 VAC	0.19 A	23W

POWER FACTOR	FREQUENCY	CURRENT THD
0.993	60 Hz	8.5%

Summary of Results

Spacing Criteria	Total Lumen Output:	1930 Lumens
0-180: 1.4	Luminaire Efficacy:	84 lm/w
90-270: 1.4	Maximum Candela:	1125 Candela

ZONE	LUMENS	% OF LUMINAIRE
0-40	1451	75.2%
0-60	1903	98.6%
0-90	1930	100%

Project: _____
Type: _____
Note: _____

ECO 5" LED DOWNLIGHT

FOR DRIVER TYPE "S"
Universal Dimming Driver, ED5 and ED5S

COMPATIBLE PHASE CONTROL DIMMERS

MFG	MODEL	MFG	MODEL
Lutron	LGCL-153PL	Leviton	VPE06
Lutron	DVRP-253P	Leviton	DW1KD-1BZ
Lutron	RRD-6CL	Leviton	IPE04
Lutron	NTELV-600P	Leviton	IPL06
Lutron	DVELV-303P	Cooper	SAL06P
Lutron	MAELV-600		
Lutron	PD-6WCL		
Lutron	SELV-300P		
Lutron	DVCL-153-P		

Compatible dimmer information provided by the driver manufacturer

COMPATIBLE 0-10VDC DIMMERS

MFG	MODEL
Lutron	NFTV
Lutron	DVTV
Lutron	DVSTV
Leviton	IP710-LFZ
Lightolier	SR1200ZTUNV
Cooper	SF10P-W
Leviton	IP710-DL

Compatible dimmer information provided by the dimming driver manufacturer